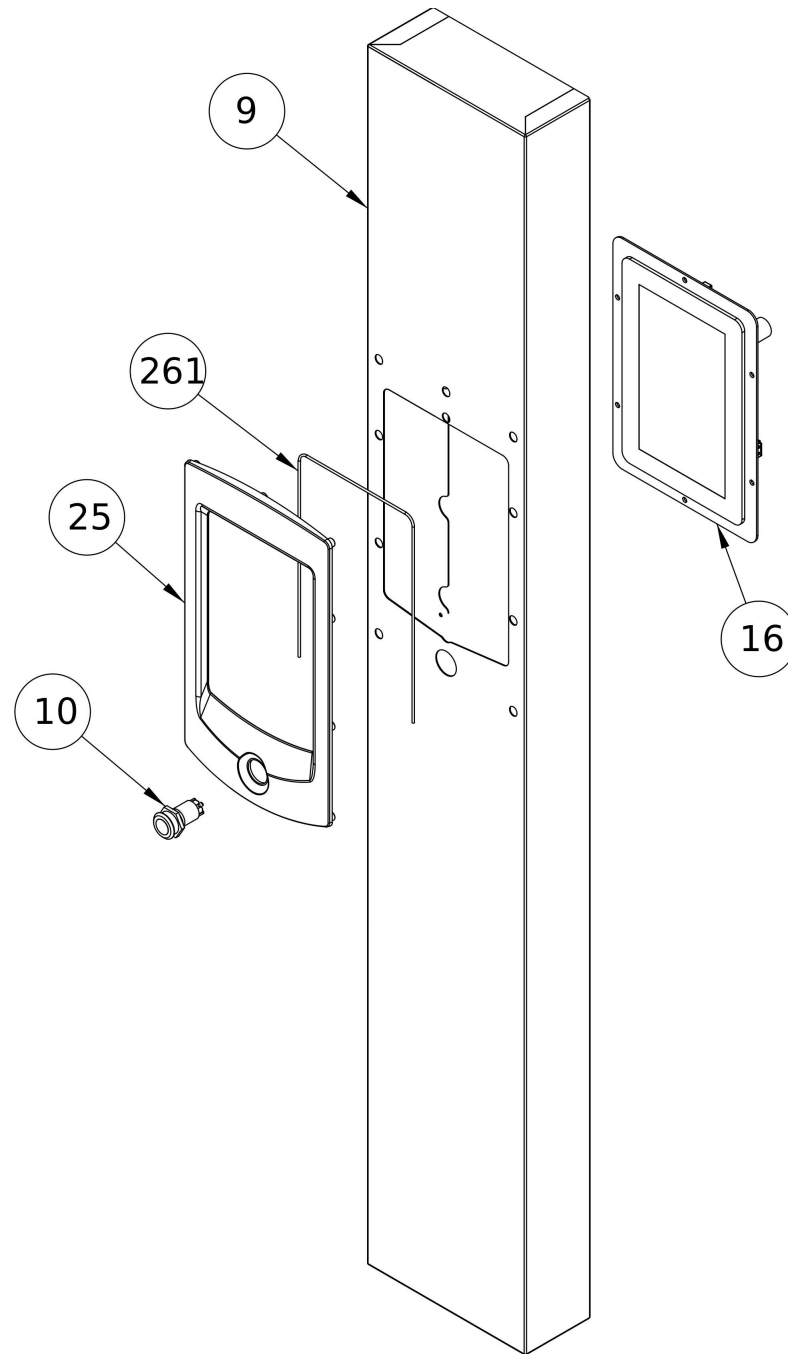


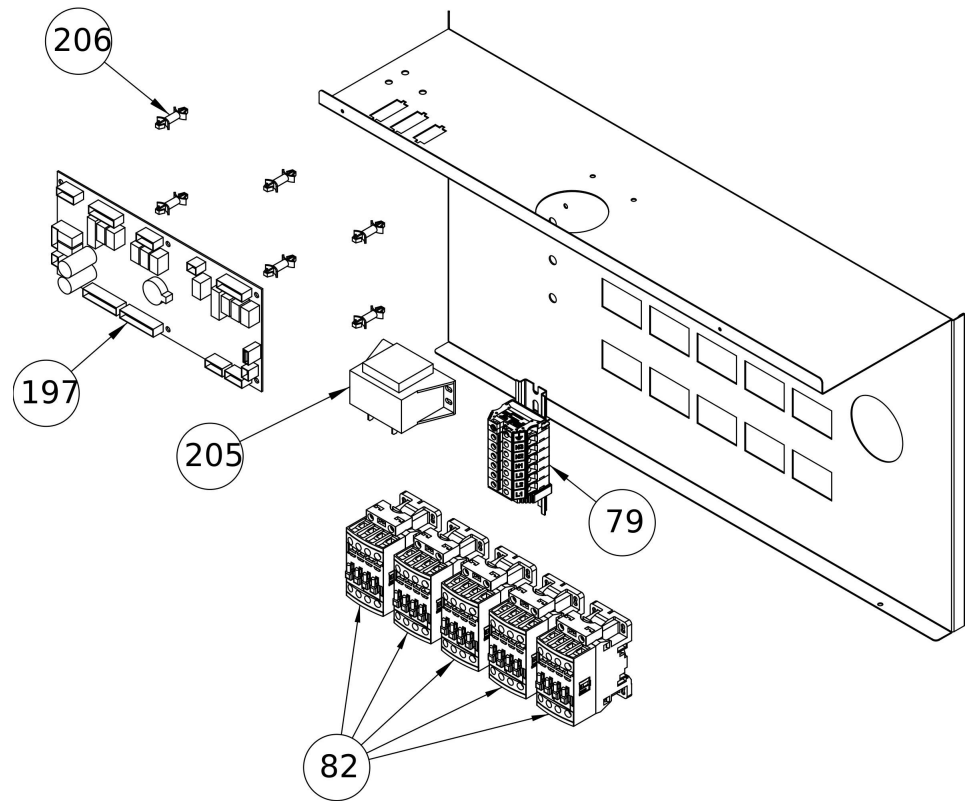
Index

DASHBOARD PANEL	2
Electrical box	4
Door	6
Oven body	8
Cooking chamber	10
Internal accessories	12



DASHBOARD PANEL

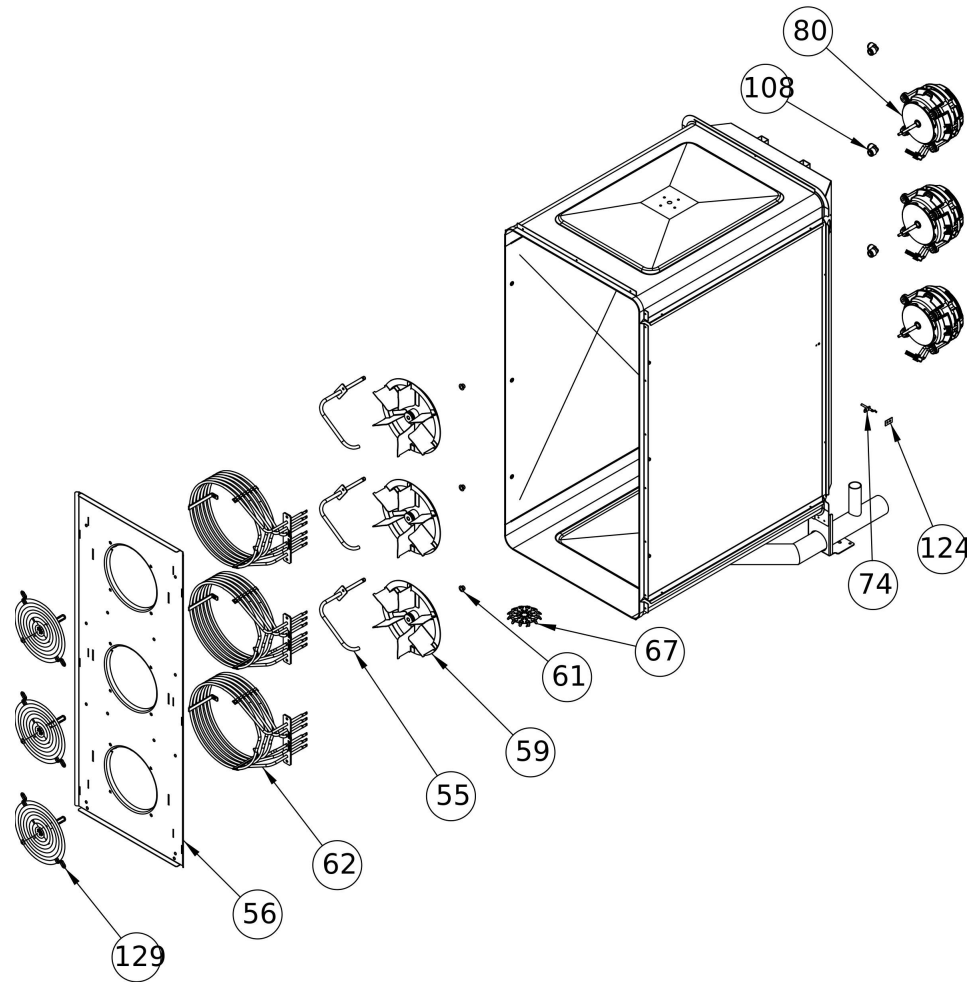
#	Code	Description	Specification	UM	Qty
9	TBC-CRU	OVEN FRONTAL PANEL	To order share s/n	pz	1
10	020PUL0003	SWITCH FOR TOUCH SCREEN OVENS		pz	1
16	020SCH0010_B	DISPLAY PC BOARD FOR TOUCH SCREEN OVENS		pz	1
25	040SCA00002	PLASTIC COVER		pz	1
261	040GUA00012	GASKET		pz	1



#	Code	Description	Specification	UM	Qty
79	020MOR0004	MAIN TERMINAL BLOCK KLEMSAN		pz	1
82	020TEL0003	BRAKER 4POLES 230V 25A (6500W HEATERS)		pz	5
197	020SCH0010_A	PC BOARD 8XPT1000		pz	1
205	020TRS0001	TRANSFORMER		pz	1
206	040DIS00003	FIXING PIN		pz	6

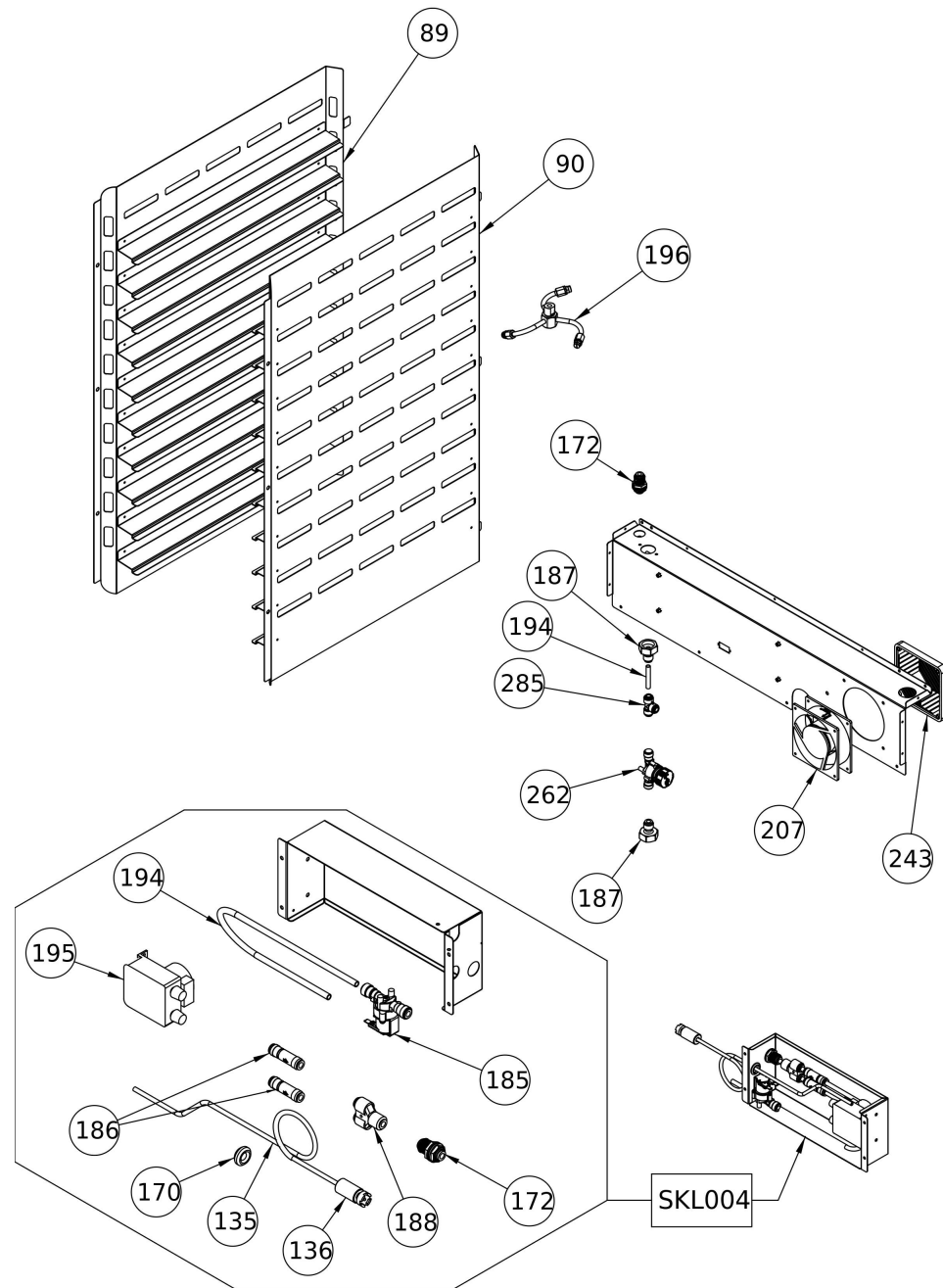
#	Code	Description	Specification	UM	Qty
37	AVISM12TC	COMPLETE INTERNAL GLASS DOOR FOR OVENS		pz	1
38	TBC-85AVE00062*	COMPLETE EXTERNAL GLASS SG-SM 10/12	To order share s/n	pz	1
39	TBC-85PTA00097*	COMPLETE OVEN DOOR SG/SM 10/12 TRAYS	To order share s/n	pz	1
40	040TAP00001	BLACK CAP		pz	1
44	040TAP00015	RUBBER SPACER FOR INTERNAL GLASS		pz	1
45	TBC-60MAGTR003	DOOR HANDLE	To order share s/n	pz	1
47	10PIAA10SAA012	HANDLE PLATE		pz	1
48	10VAS00052	COLLECT DROP (DOOR)		pz	1
173	60MGNSN002	DOOR SENSOR MAGNET		pz	1
269	040MAN00010	INTERNAL GLASS BLOCKING KNOB		pz	2
417	40DIS00014	MAGNETIC SENSOR PLATE		pz	1
435	020LED0003	LAM LED PT 10T CR880OP4 L=900MM		pz	1
437	040TAP00025	BOTTOM DOOR CAP		pz	1
544	040PPC00008	WIRING PLASTIC CONNECTOR		pz	1

#	Code	Description	Specification	UM	Qty
12	020CNT0001	PANEL PLUG SOCKET 6 POLES FLANGED		pz	1
13	020SON0009	CORE PROBE 3 POINTS PT1000		pz	1
46	85VAS00002	CONDENSATE COLLECTION TRAY		pz	1
65	040GUA00002	DOOR GASKET COMBISTEAMER		cm	320
69	60NASAI001	HANDLE STUD L70MM		pz	1
70	60PERAI003	HANDLE PIVOT RCB-RCG		pz	1
77	85PIA00002	PLATE		pz	1
83	020TER0007	SAFETY THERMAL SWITCH		pz	1
91	50PIEPL001	PLASTIC FEET		pz	4
96	10FIAA10SDX187	RIGHT SIDE		pz	1
107	020ELE0003	THREE-WAY SOLENOID VALVE REDUCER BROWN		pz	1
115	10SCNA10SAA053	OVEN BACKSIDE		pz	1
119	85CER00008	BOTTOM HINGE		pz	1
120	10PIAA20NAA010	DOOR SPACER RING		pz	1
121	10PIAA10SAA013	DOOR LOCK PLATE		pz	1
174	20SNS00006	DOOR MAGNETIC SENSOR		pz	1
203	020INV0002	INVERTER OVEN SG10/SM12		pz	1
209	180CAV009	USB CABLE		pz	1
249	040SCA00001	PLASTIC COVER		pz	1
254	040BOC00009	BUSHING CORE PROBE		pz	1
302	60VAPVA001	CHIMNEY VALVE		pz	1
417	40DIS00014	MAGNETIC SENSOR PLATE		pz	1
419	40CER00001	TOP HINGE		pz	1
420	40CER00002	TOP HINGE COVER		pz	1
436	40DIS00011	CONDENSATE TRAY OVEN SIDE SUPPORT		pz	3
577	20ALM00004	POWER SUPPLIER 16,8W		pz	1



Cooking chamber

#	Code	Description	Specification	UM	Qty
55	85TBA00017	HUMIDIFICATION PIPE		pz	3
56	85DEF00024	AIR DEFLECTOR		pz	1
59	60VENAI013	FAN 200X61 AIRTEK 2.0		pz	3
61	040BOC00006	CRANKSHAFT BUSH		pz	3
62	020RES50230232613	HEATING ELEMENT 5 KW		pz	3
67	85PIA00007	MUFFLE DRAIN COVER 20/40T		pz	1
74	020SON0001	TEMPERATURE PROBE		pz	1
80	020MOT0027	MOTOR 230V 50/60 HZ M8		pz	3
108	040RAC00001	PLASTIC JUNCTION		pz	3
124	040GUA00007	CHAMBER PROBE FLANGE GASKET		pz	1
129	50GRIAI106	DEFLECTOR GRID		pz	3



Internal accessories

#	Code	Description	Specification	UM	Qty
89	TBC-GRI_SX	LEFT TRAYS HOLDER	To order share s/n	pz	1
90	TBC-GRI_DX	RIGHT TRAYS HOLDER	To order share s/n	pz	1
135	30TUBPVC002	PVC TUBE		cm	200
136	50FFO0001	WATER FILTER WITH CERAMIC WEIGHT		pz	1
170	040PPC00004	MEMBRANE		pz	1
172	040RAC00004	JUNCTION 5/16		pz	1
185	020ELE0004	SELF CLEAN SOLENOID VALVE		pz	1
186	040RAC00005	CHECK VALVE IN/OUT JG 8MM 5/16SCV		pz	2
187	040RAC00006	JG8-3/4G JOINT		pz	2
188	040RAC00003	Y JOINT 5/16		pz	2
194	30TUBP80006	TUBE		cm	15
195	020PMP0002	DETERGENT PUMP		pz	1
196	60S2	SPRINKLER FOR WASHING SYSTEM		pz	1
207	020MOT0009	AXIAL MOTOR		pz	1
243	040FIL001	REAR FAN FILTER		pz	1
262	040FIL002	WATER FILTER		pz	1
285	040RAC00008	T SHAPED JUNCTION		pz	1